

90% GAS FURNACE JOBSITE INFORMATION

➤ OWNER:

Name: _____
Street: _____
City: _____ Zip/Postal _____
State/Province _____ Phone _____

➤ SERVICING CONTRACTOR:

Name: _____
Street: _____
City: _____ Zip/Postal _____
State/Province _____ Phone _____

➤ PRODUCT INFORMATION

Furnace Model Number: _____
Evaporator Model Number: _____
Installation Date: _____

➤ TEMPERATURES (Figure 1)

- TP 1 – Vent Outlet Temperature _____
- TP-2 – Return Air Temperature _____
- TP-3 – Supply Air Temperature _____
- Temperature Rise (TP-3 – TP-2) _____
- Gas Pipe Diameter _____
- Gas Pipe Length _____
- LP or Natural Gas _____
- Burner Orifice Size _____

➤ PRESSURES (Furnace Running): (Figure 1)

- P-1 – Manifold _____
- P-2 – Inlet Gas _____
- P-3 – Vent Pressure Switch _____
- Drain Pressure Switch _____

➤ EXHAUST VENT: (Figure 2)

- Type _____
- Diameter _____
- Length _____
- Number of 90° elbows _____
- Number of 45° elbows _____
- Termination Length _____

➤ INTAKE VENT (Fig. 2)

- Type _____
- Diameter _____
- Length _____
- Number of 90° elbows _____
- Number of 45° elbows _____
- Termination Length _____
- Separation Distance _____

➤ Date: _____

➤ PROBLEM DESCRIPTION:

➤ DISTRIBUTOR:

Name: _____
Street: _____
City: _____ Zip/Postal _____
State/Province: _____
Phone: _____

Serial Number: _____

Serial Number: _____

➤ HIGH VOLTAGE CIRCUIT READINGS: (Figure 3)

HV-1 & HV-6 – Line Voltage _____
HV-2 & HV-6 – Blower Motor _____
HV-3 & HV-6 – Combustion Air Inducer _____
HV-4 & HV-6 – Transformer _____
HV-1 & HV-7 – L1 TO Earth Ground _____
HV-6 & HV-7 – Neutral to Earth Ground _____
HV5 & HV-6 – HIS Voltage during “warm-up” _____

➤ LOW VOLTAGE CIRCUIT READINGS: (Figure 4)

LV-8 & LV-9 – Transformer Control Voltage _____
LV-10 & LV-12 – Rollout and Limit Switches _____
LV-13 & LV-14 – Pressure and Aux Limit Switches _____
LV-15 & LV-16 – Gas Valve _____
LV-17 – Flame Sensor Micro Amps _____

OTHER NECESSARY DATA (Figure 2)

- Is return air intake sealed and terminated
outside furnace area? Yes No
- Fault Code Number of Flashes (Fig. 1) _____
- Electronic Thermostat? Yes No

REQUESTED BY: _____

Figure 1

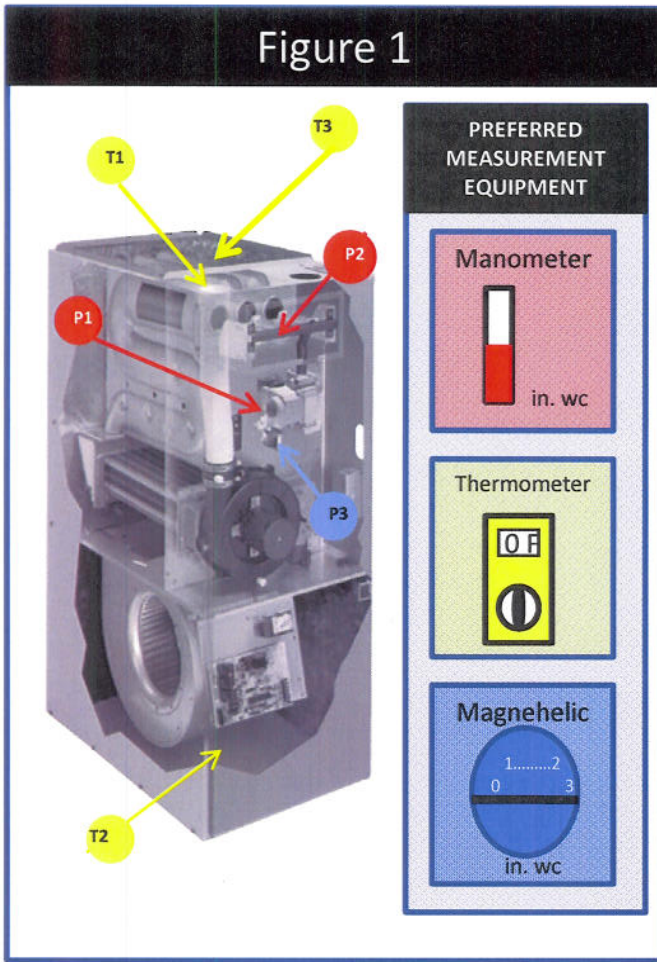


Figure 2

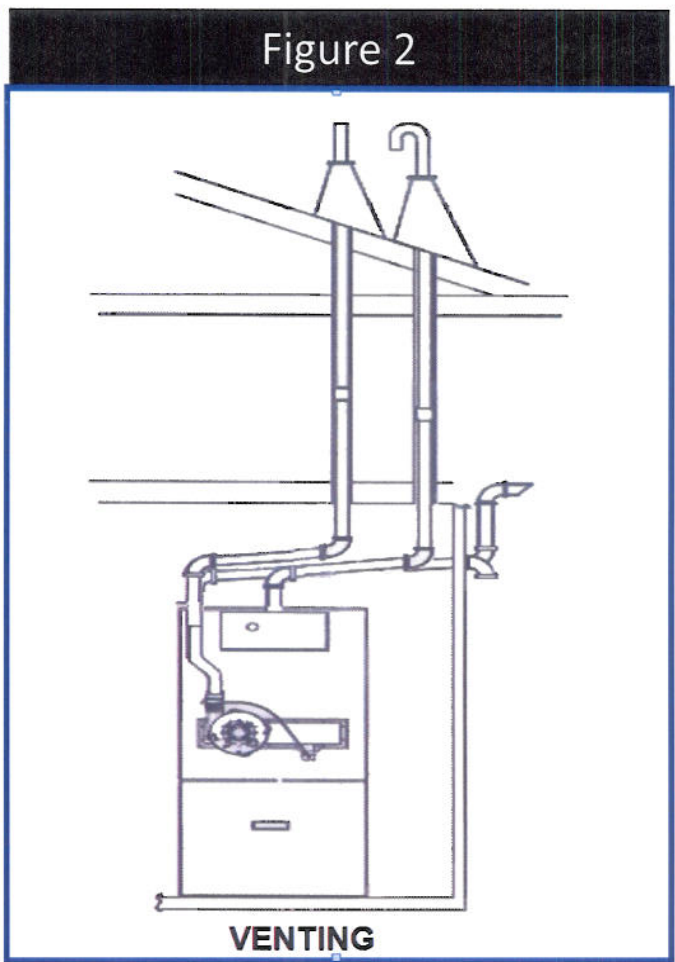


Figure 3

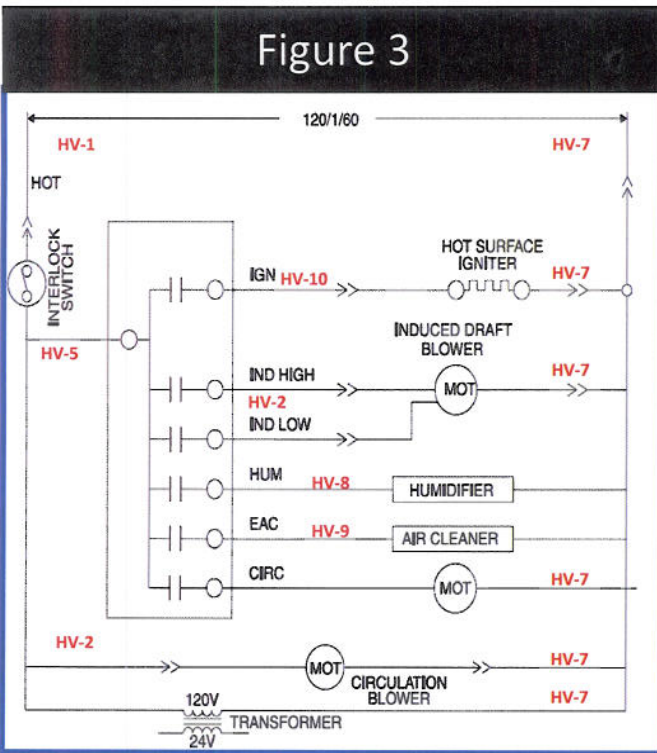
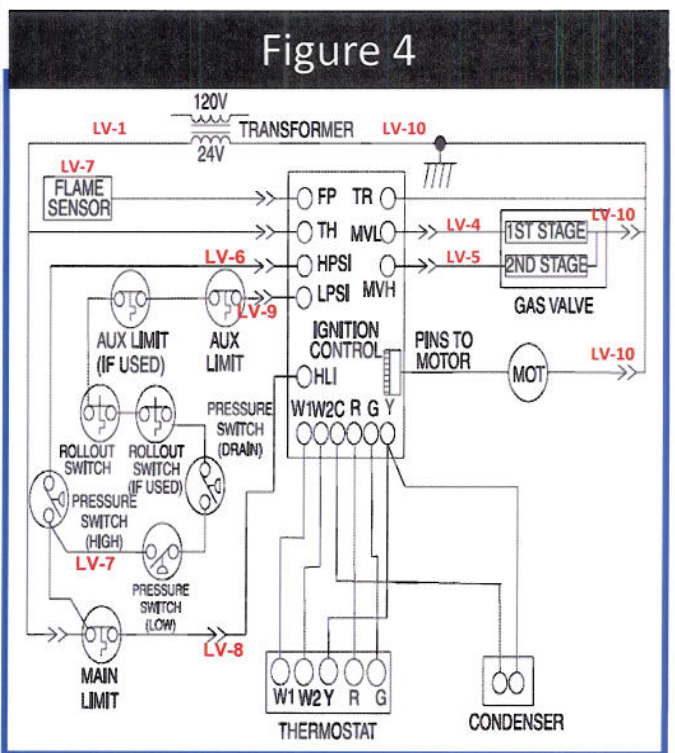


Figure 4



HIGH VOLTAGE CIRCUIT

LOW VOLTAGE CIRCUIT